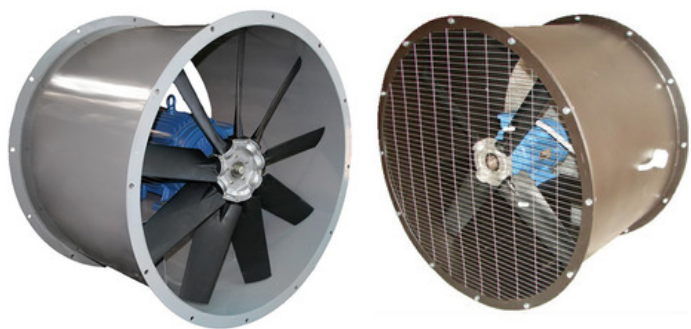


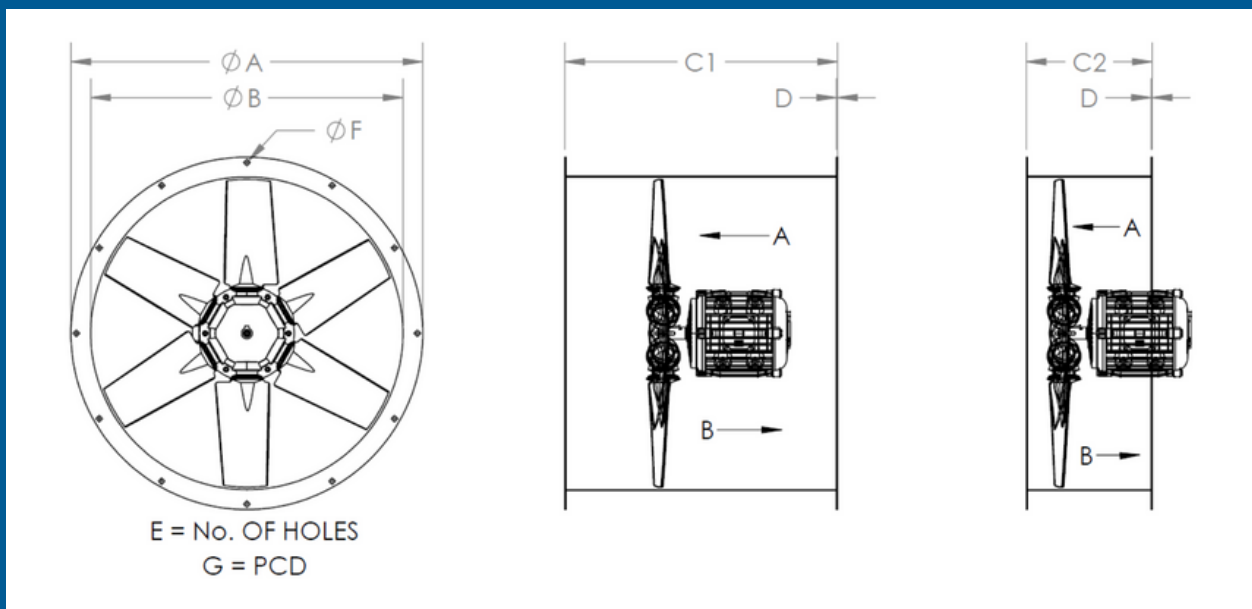
GERMAN ENGINEERED VENTILATION



WingFan's cased axial fans are used in HVAC, agriculture, automotive testing, spray booths and drying. A wide product range ensures the optimal product for your application. German engineered blade profiles provide optimal air flow rate per energy consumption. Obtain a 2 year guarantee with every WingFan product purchased; terms & conditions apply.



WINGFAN CASED AXIAL FANS



Fan Code	A	B	C1	C2	D	E	F	G	Mass L Type (kg)	Mass S Type (kg)
WFCA315	375	315	350	250	2	8	10	350	17	16
WFCA400	480	400	400	250	2	8	10	450	21	19
WFCA500	580	500	400	250	2	8	10	550	26	24
WFCA560	640	560	400	250	2	12	10	610	33	31
WFCA630	710	630	550	250	2	12	10	688	49	44
WFCA710	790	710	550	250	2	12	12	768	52	45
WFCA800	880	800	550	300	2	12	14	857	55	49
WFCA900	1000	900	550	300	3	12	14	958	119	108
WFCA1000	1100	1000	550	300	3	12	14	1054	152	140
WFCA1120	1220	1120	750	400	4	12	14	1180	185	160
WFCA1250	1350	1250	750	400	4	12	14	1310	216	189

Product Code	Impeller	Motor Size	Maximum flow rate, [m ³ /s]	Maximum static pressure [Pa]
WFCA315	310/3-6/SIHL/35/PA	0.37kW 2P 380V	1.1	256.6
WFCA400	390/3-6/P3HL/30/PA	0.55kW 2P 380V	1.7	267.0
WFCA500	490/8-8/P3HL/40/PA	0.55kW 4P 380V	2.3	171.7
WFCA560	550/8-8/P3HL/40/PA	0.75kW 4P 380V	3.0	188.0
WFCA630	620/8-8/P3HL/40/PA	1.1kW 4P 380V	3.9	206.0
WFCA710	700/5-5/P4ZL/32.5/PA	1.5kW 4P 380V	5.7	231.0
WFCA800	789/5-5/P4ZL/32.5/PA	2.2kW 4P 380V	7.6	265.0
WFCA900	892/5-5/P5ZL/35/PA	4kW 4P 380V	10.46	318.77
WFCA1000	991/5-5/P5ZL/37.5/PA	5.5kW 4P 380V	13.2	331.69
WFCA1120	1109/7-7/EDGE5ZL/40/PA	7.5kW 6P 380V	15.89	353.23
WFCA1250	1238/8-8/EDGE5ZL/38/PA	11kW 6P 380V	20.78	419.1

*OTHER MOTOR SIZES AVAILABLE ON APPLICATION
*MAXIMUM STATIC PRESSURE OCCURS AT MINIMUM FLOW RATE - SEE GRAPHS

